



features

- Integrated flash controller
- User management
- Password protection
- Backup & Restore function
- Coordinate transformation
- flexible result conjunction



general data

resolution	1280 × 960 px
sensor type	1/3" CCD, color
external illumination	as accessory
high-resolution mode	max. 12 inspections per second
number of jobs (products)	≤ 255
features per job	32
defect image memory	8
signal processing	Baumer FEX® 5.0
illumination	direct connection (integrated flash controller)
lens	C-mount

electrical data

voltage supply range +Vs	18 ... 30 V DC
power consumption	typical 5 W ($I_{max} = 1,5$ A at 24 V)
digital inputs	5 inputs (8 ... 30 V) trigger job selection external teach-in encoders (CH-A, CH-B) 500 kHz
digital outputs	3 outputs (PNP) Pass / Fail Flash Sync Alarm Camera Ready Output Enable
initial setup	Ethernet (10BASE-T / 100BASE-TX)
process interface	TCP/UDP (Ethernet) / RS485 (supports VeriSens® Gateways)
visualization	web interface

integrated flash controller

voltage	12 V DC or 24 V DC (permanent) 24 V DC or 48 V DC (pulsed)
---------	---

integrated flash controller

current	$I_{max} = 800$ mA at 24 V DC (permanent) (±10 %, at least ± 100 mA, at 25 °C) $I_{max} = 4$ A at 48 V DC (pulsed) (+10/-20 %, at least ± 100 mA, at 25 °C)
flash time	max. 1 ms (Duty Cycle max. 1:10)

mechanical data

width	53 mm (without lens/tube)
height	99,5 mm (without lens/tube)
depth	49,8 mm (without lens/tube)
material	housing: aluminum cover glass: PMMA
weight	≤ 300 g (without lens/tube)

environmental conditions

operating temperature	+5 ... +50 °C
storage temperature	-20 ... +70 °C
case temperature	max. +50 °C
humidity	0 ... 90 % (non-condensing)
protection class	IP 67 (with tube)
vibration load	IEC 60068-2-6 IEC 60068-2-64
mechanical shock resistance	EN 60068-2-27

feature checks

part location	part location on contours part location on edges part location on circle part location on text line
geometry	distance circle angle count edges point position edge characteristics

feature checks

- | | |
|--------------------|----------------------|
| feature comparison | count contour points |
| | contour comparison |
| | area size |
| | count areas |
| | pattern comparison |
| | color identification |
| | color positioning |

electrical connection M12 / 12-pin (on device)



1: PWR (+18-30 V DC)	7: OUT3
2: Ground	8: IN3
3: IN1 (Trigger)	9: RS485+
4: OUT1	10: IN4
5: IN2	11: IN5
6: OUT2	12: RS485-

Ethernet connection M12 / 4-pin (on device)



1: TD+	3: TD-
2: RD+	4: RD-

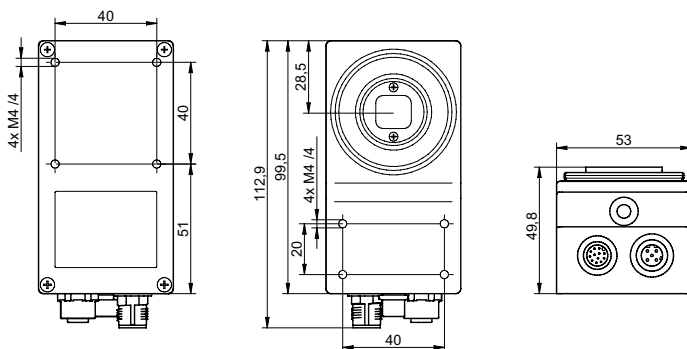
electrical connection illumination M8 / 4-pin (on device)



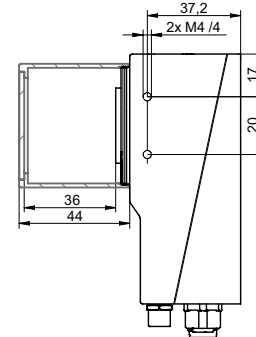
1: +24 V or +48 V Flash	3: Ground
2: +12 V or +24 V Flash	4: Flash Sync

voltage outputs configurable by software

dimension drawing



C-mount support



XC Tube, XC Tube Module

